



Do you have problems with stolen goods from wrapped pallet?

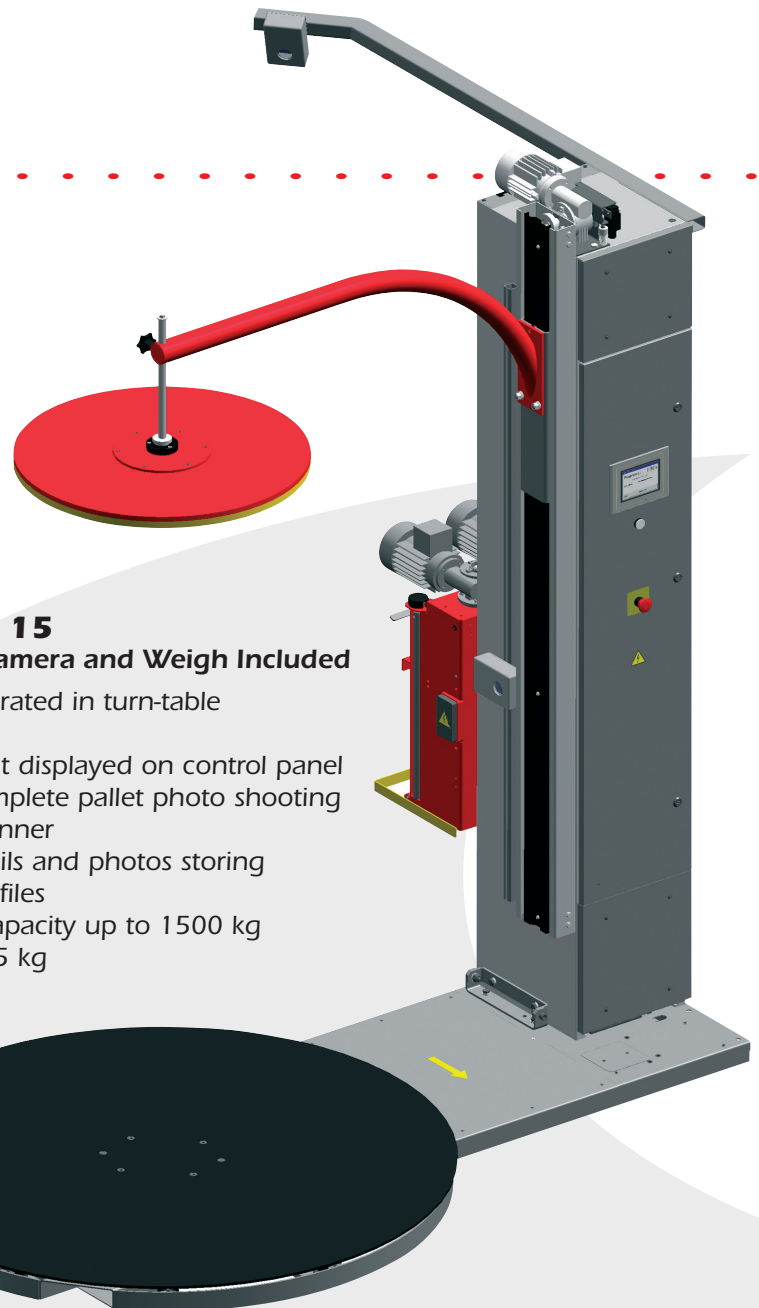
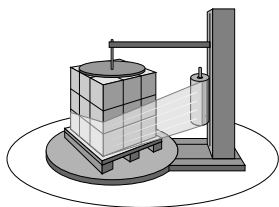
Do you record lost goods during transportation to customer?

Are you responsible for entrusted goods?

Do you miss concrete evidence?

EKOBAL IS HERE WITH REVOLUTIONARY SOLUTION!

WMS Profi 15 integrated camera and weigh included!



WMS Profi 15 Integrated Camera and Weigh Included

- Weigh integrated in turn-table
- 2 cameras
- Pallet weight displayed on control panel
- Zone or complete pallet photo shooting
- Barcode scanner
- Weight details and photos storing in users' PC files
- Weighing capacity up to 1500 kg
- Accuracy 0,5 kg

Technical parameters		WMS Profi	
Executions	turntable	1500 mm	1650 mm
Weight (as per equipment, min.)		600 kg (see production plate)	
Dimensions	height	2366 mm (3366 mm)	
	width	1500 mm ¹⁾	1650 mm
	length	2350 mm	2500 mm
Turntable	diameter	1500 mm	1650 mm
	loading limit	1200 kg	1200 kg
	drive	el. motor 550W / 50Hz 400 V	
	revolutions	10 rpm + 20%	10 rpm + 20%
	sense of rotation	right	
Film carriage drive		el. motor 180W / 50Hz 400 V	
Top platen carriage drive		el. motor 120W / 50Hz 400 V	
Weight of film roll		ca. 17 kg	
Weight equipment	Implementation	Turntable integrated	
	Max. weight	1500 kg	
	Max. deviatop	0,5 kg	
Electric installation parameters	Operation voltage	3 x 400 V / 50Hz	
	Machine input	1.5 ... 3.5 kVA (see production plate)	
	Mains protection	10 ... 16 A (see production plate)	
	Control circuit voltage	24 V	
	Electric device protection class	IP 54	

¹⁾ Machine width is identical to turntable diameter

WMS Profi 15

Wrapping machine

EKOBAL s.r.o.
Videňská 172, 252 42 Vestec u Prahy, Czech Republic
Tel. +420 234 144 111, Fax +420 234 144 777
E-mail: mail@ekobal.cz, http://www.ekobal.cz